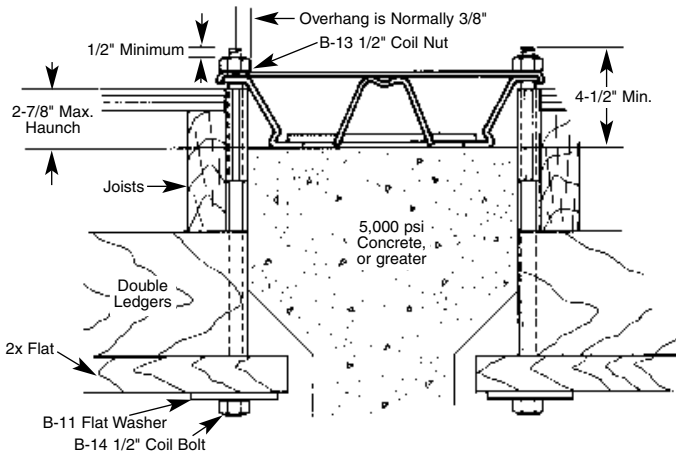


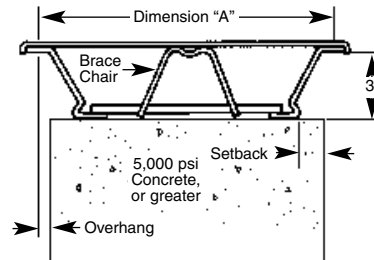
## C-46 Con-Beam Hanger

The C-46 Con-Beam Hanger is designed to provide coverage of various haunch heights up to 2-7/8" and numerous overhang conditions. The top plate of the hanger is fabricated from steel strap and is reinforced with a brace chair on wider hangers. C-46 hangers are designed for use with 1/2" Coil Bolts or Coil Rods only.



C-46 Con-Beam Hanger		
Haunch	Overhang	Setback
2-7/8"	3/8"	1"
2-1/2"	5/8"	3/4"
2"	7/8"	1/2"
1-5/8"	1"	3/8"

**Note:** Dimension "A" is equal to 2 times the overhang plus flange width.  
**Warning:** Con-Beam Hangers are designed for supporting interior formwork only. Do not use for suspending overhang form loads

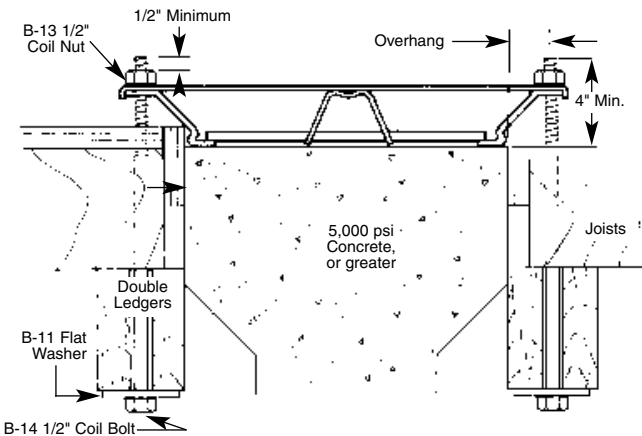


**Safe Working Load**  
3,000 lbs. per Side

Approximate safety factor 2:1  
**Warning:** Hangers must be equally loaded on both sides.

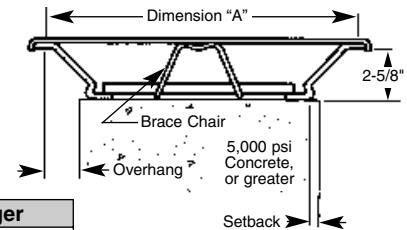
## C-47 Con-Beam Hanger

The C-47 Con-Beam Hanger is designed to provide coverage of various haunch heights up to 2-1/2" and overhang conditions up to 1-3/4" away from the beam side. The top plate of the hanger is fabricated from steel strap and is reinforced with a brace chair on wider hangers. C-47 hangers are designed for use with 1/2" Coil Bolts or Coil Rods only.



**Safe Working Load**  
2,000 lbs. per Side

Approximate safety factor 2:1  
**Warning:** Hangers must be equally loaded on both sides.



C-47 Con-Beam Hanger		
Haunch	Overhang	Setback
2-1/2"	3/8"	1-5/8"
2-1/4"	1/2"	1-1/2"
2"	3/4"	1-1/4"
1-3/4"	1"	1"
1-1/2"	1-1/4"	3/4"
1-1/4"	1-1/2"	1/2"
1-1/8"	1-3/4"	1/4"

**Note:** Dimension "A" is equal to 2 times the overhang plus flange width.  
**Warning:** Con-Beam Hangers are designed for supporting interior formwork only. Do not use for suspending overhang form loads

## C-49 and C49-D Bridge Overhang Brackets

Dayton/Richmond Bridge Overhang Brackets are designed with maximum adjustability to meet the varied overhang forming requirements on structural steel and precast/prestressed concrete beams. The C-49 and C-49-D Bridge Overhang Brackets accommodate an adjustment range of 30" to 70" and can be mounted to steel beams, precast concrete beams and concrete box beams with the appropriate hanger devices. Both of the bracket models can be easily and quickly preset on the ground and then set in place as needed.

The C-49-D Bridge Overhang Bracket has all of the features of the C-49 bracket but has longer vertical and diagonal legs. The longer legs, and resulting increase in adjustment, allow the bracket to be used on deep structural steel beams to position the construction load transfer near the beam's bottom flange.

**Warning:** Overhang brackets should be adjusted to proper grade during the normal "dry run" operation. DO NOT attempt an upward adjustment during the concrete pouring operation. Lowering the bracket adjustment is permissible during the concrete pour.

