



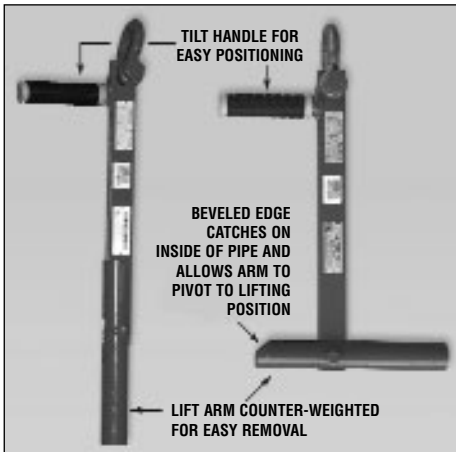
PIPE HANDLING

Pipe Pick™

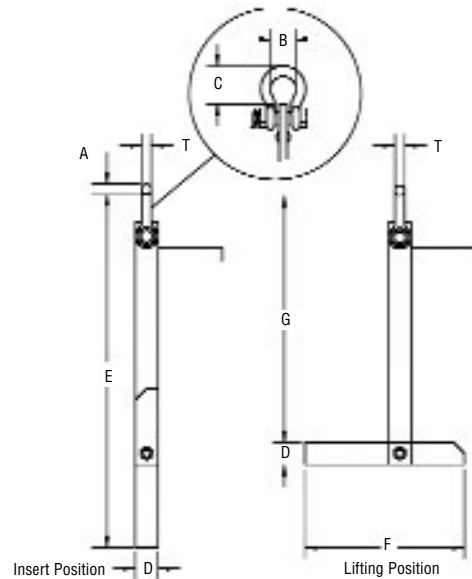
The patented new concrete Pipe Pick™ is a quicker, safer and cleaner way of handling precast concrete pipe.

FEATURES:

- Simple and fast / No need to reach inside the pipe.
- Worker remains above the pipe at all times.
- Conforms to applicable standards so you are in compliance with OSHA.



Simply insert the Pipe Pick™ into the lifting hole in the pipe—tilt—to engage the beveled edge—and lift up! You can now lift and set the pipe. Once the pipe is set, lower the Pipe Pick™; the counterweighted lift arm automatically falls straight and the Pipe Pick™ can be removed from the pipe.



SPECIFICATIONS

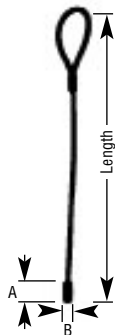
Model No.	Cap. (Tons)	Min. Pipe I.D.	Dimensions in Inches							Wght. (Lbs.)	
			D	E	F	G	A	B	C		T
CPP-1.5	1-1/2	12	1.50	23.5	12.25	16.25	0.69	1.69	2.50	0.63	10
CPP-3	3	14	2.00	28.5	12.00	20.50	0.81	2.00	2.88	0.75	18
CPP-5	5	16	2.75	44.0	13.50	36.13	1.06	2.69	4.00	1.00	46

Pat. No. 5,820,186

Model PC – “Tea Cup” Pipe Carrier

FEATURES:

- Efficiently handles concrete water and sewer pipes, saving you time and money.
- Optional “Spoon” handle allows the “Tea Cup” to be guided into small diameter pipes.



SPECIFICATIONS - Model PC

Model Number	Rated Capacity (Tons)	Lifting Plate Dia.	Pipe Insert O.D.	Pipe Insert Height	Weight (Lbs.)
PC-3/4*	6.6	5-9/16	2	1-7/8	9
PC-1	13	6	2-1/2	2	12
PC-1 1/2	18	8	3	3	22

* Has standard “lip” for use with the “Spoon Handle.”
* Keep concrete hole lifting to 1/8” of insert diameter.

New Model

Low Profile “Tea Cut” Pipe Carrier
Same as standard model plus:

- Only wire rope needs to be inserted through pipe.

SPECIFICATIONS - Low Profile

Model Number	Rated Capacity (Tons)	Lifting Plate Dia.	Pipe Insert O.D.	Weight (Lbs.)
PC-3/4-F*	6.6	5-9/16	2-1/8	9
PC-1-F	13	6	2-5/8	12
PC-1 1/2-F	18	8	3-1/4	22

* Can use “Spoon Handle” with this model.

Tea Cup Lifting Sling Option - LS

SPECIFICATIONS - Model LS

Use With	Model Number	Rated Capacity (Tons)	Sling Dia. (In.)	Standard Length (Ft.)	After Swage Dim. (In.)		Weight (Lbs.)
					A	B	
PC-3/4	LS-3/4	4.9	3/4	5	3.25	1.55	9
	LS-7/8	6.6	7/8	5	3.86	1.80	14
PC-1	LS-1	8.5	1	5	4.36	2.05	19
	LS-1 1/8	10	1-1/8	5	4.81	2.30	25
PC-1 1/2	LS-1 1/4	13	1-1/4	5	5.42	2.56	33
	LS-1 1/2	18	1-1/2	5	6.52	3.00	52



Hardware & Supply Co., Inc.
Supply, Inc. of Virginia
Form Rentals

NJ (856) 662-6935 • PA (215) 925-8800
Metro (703) 569-6660 • VA (703) 455-6700
Clinton, MD (301) 877-8640